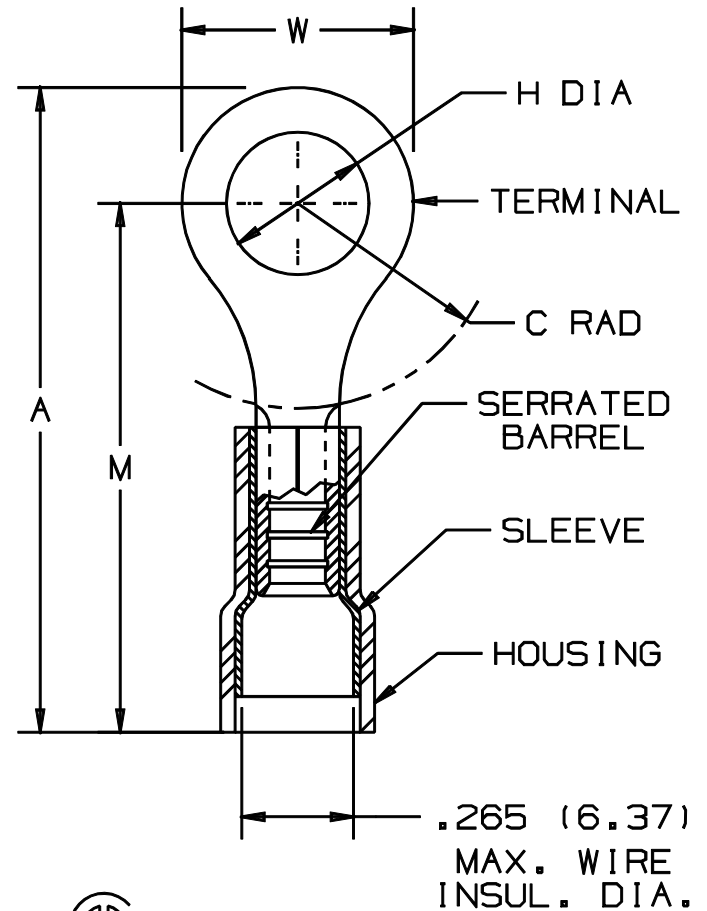


THIS COPY IS PROVIDED ON A RESTRICTED BASIS AND IS NOT TO BE USED IN ANY WAY DETRIMENTAL TO THE INTERESTS OF PANDUIT CORP.

PANDUIT PART NUMBER	STUD SIZE	DIMENSIONS in.				
		A $\pm .03$	W $\pm .01$	C $\pm .02$	M $\pm .03$	H $\pm .01$
PN10-6RX	#6	1.13 (28.70)	.37 (9.40)	.33 (8.38)	.94 (23.88)	.15 (3.81)
PN10-8RX	#8	1.13 (28.70)	.37 (9.40)	.33 (8.38)	.94 (23.88)	.17 (4.32)
PN10-10RX	#10	1.13 (28.70)	.37 (9.40)	.33 (8.38)	.94 (23.88)	.20 (5.08)
PN10-14RX	1/4"	1.27 (32.26)	.52 (13.21)	.42 (10.69)	1.01 (25.65)	.27 (6.86)
PN10-56RX	5/16"	1.27 (32.26)	.52 (13.21)	.42 (10.69)	1.01 (25.65)	.34 (8.64)
PN10-38RX	3/8"	1.35 (34.29)	.58 (14.73)	.46 (11.68)	1.06 (26.92)	.40 (10.16)

NOTES:

- UL LISTED AND CSA CERTIFIED FOR:
 - 600V. MAX. BLDG WIRE (1000 V. MAX IN SIGNS, FIXTURES & LUMINAIRES).
 - #14-10 AWG SOLID OR STRANDED COPPER WIRE WITH THE CT-550 INSTALLATION TOOL.
 - #12-10 AWG SOLID OR STRANDED COPPER WIRE WITH THE CT-100 INSTALLATION TOOL.
 - #12 AWG SOLID OR STRANDED, AND #10 AWG STRANDED COPPER WIRE WITH THE CT-1550 AND CT-1551 INSTALLATION TOOLS.
 - 221°F (105°C) MAX TEMP. RATING
- MATERIAL:
 - STAMPING - .04" (1.02) THK COPPER, TIN PLATED
 - HOUSING - NYLON, YELLOW
 - SLEEVE - BRASS, TIN PLATED
- STRIP LENGTH - 9/32 $^{+1/32}_{-0}$
- PACKAGE QTY:
 - L=50
 - D=500
- DIMENSIONS IN BRACKETS ARE IN MILLIMETERS



LISTED
587H
E52164



CERTIFIED
LR31212

A41273_06

06	1/01	RM		FILESPEC WAS N41273AA_PCD_05				<p>TINLEY PARK, ILLINOIS</p> <p>#12-10 BARREL NYLON INSULATED RING TONGUE, .265 (6.37) MAX. WIRE INSULATION DIAMETER</p>				
05	5/99	ED		UPDATED "A" & "M" DIM.S, AND MODIFIED DIMENSIONAL TOLERANCES	07672							
04	5/99	JKD	SKB	ADDED CT-1551 & CT-1550 TOOLS	07634	LCA	JH					
3	1-95	MC	RLS	UPDATED NOTES AND DIMENSIONS	02894	LCA	KRS					
REV	DATE	BY	CHK	DESCRIPTION	ECN #	CUST	PM	<table border="0"> <tr> <td>DRAWN BY DAW</td> <td>CHK'D CJH</td> <td>SCALE NONE</td> <td>DRAWING NO. A41273</td> </tr> </table>	DRAWN BY DAW	CHK'D CJH	SCALE NONE	DRAWING NO. A41273
DRAWN BY DAW	CHK'D CJH	SCALE NONE	DRAWING NO. A41273									